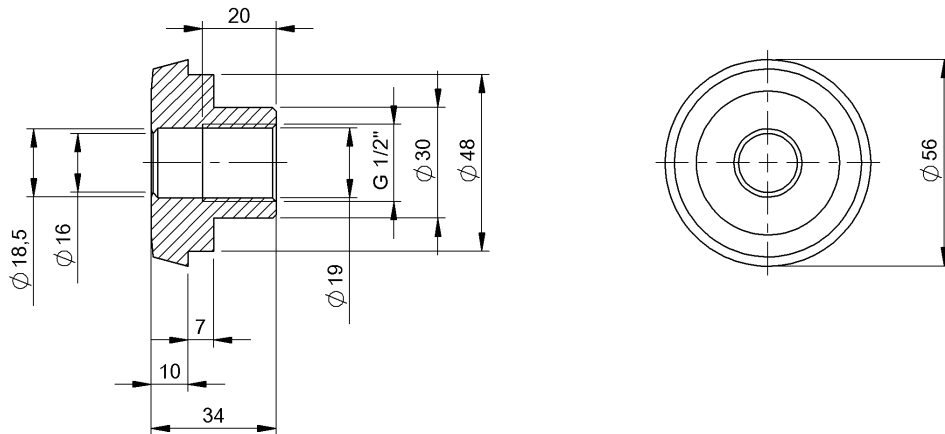


Mechanical Accessories
BAM AD-CS-013-1G2/D58-TRI-5
 Order Code: BAM0296

BALLUFF



Basic features

Approval/Conformity	WEEE
Scope of delivery	Adapter
Short description	Dairy fitting

Material

Material	1.4404 stainless steel
----------	------------------------

Mechanical data

Pressure rating max.	16 bar
Pressure rating, note	Max.
Process connection	DN40 (DIN11851)
Weight	230.00 g